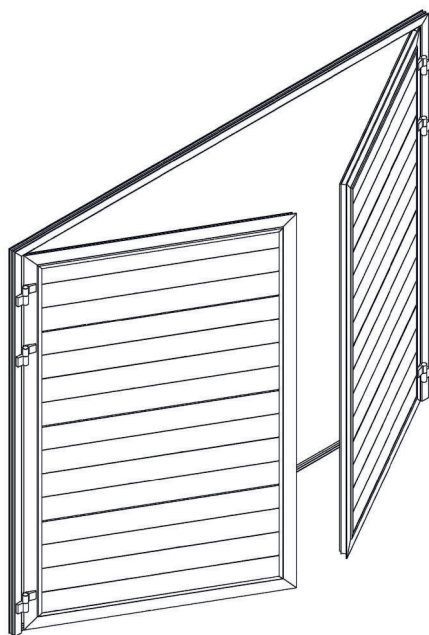


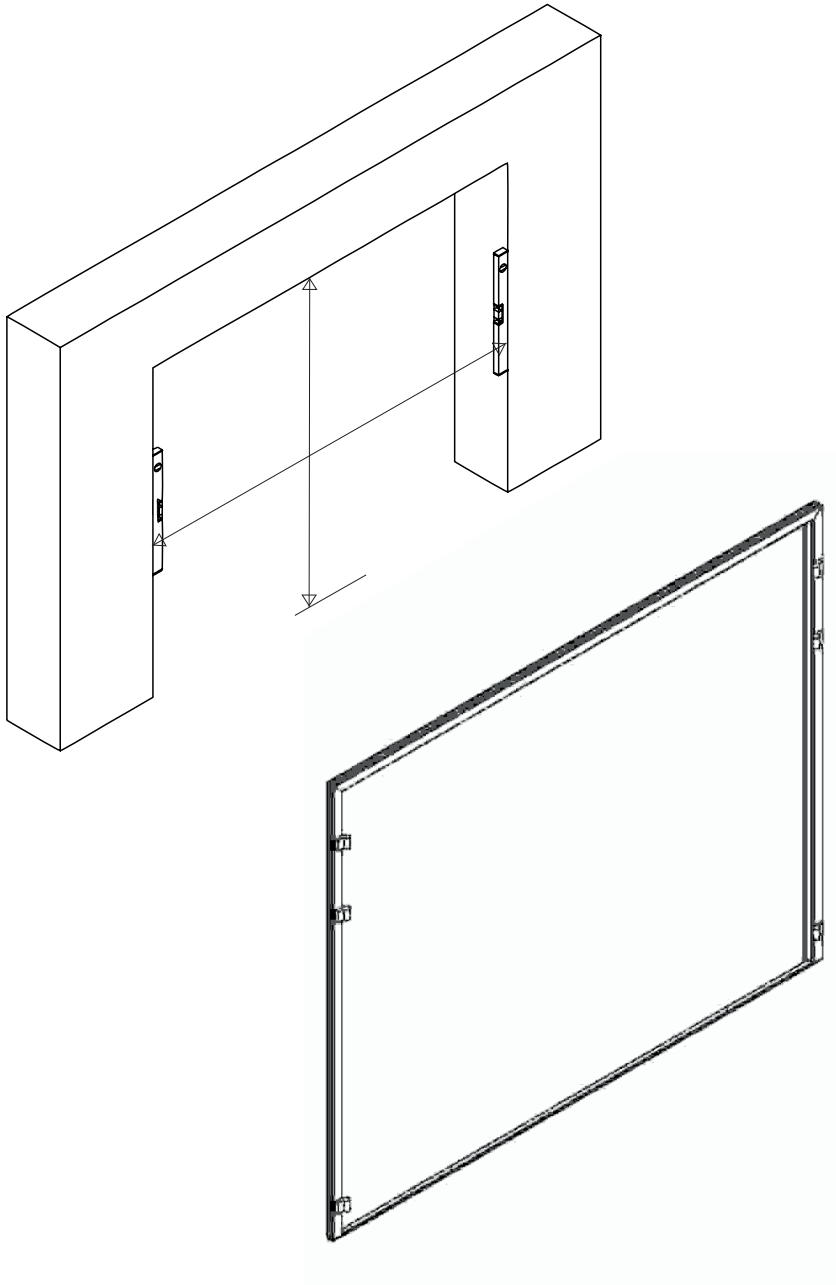
# MOUNTING INSTRUCTIONS

## FOR SIDE HINGED DOORS





Prior to the assembly check the door opening.



The casing to be mounted to the opening without a finished floor.



front view

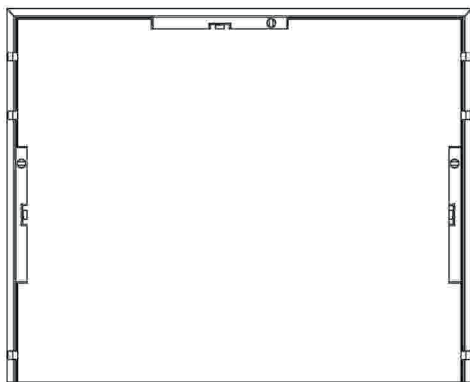


side view

The casing to be mounted on finished floor, remove the bottom C-profile.



The casing to be put into the opening and levelled.

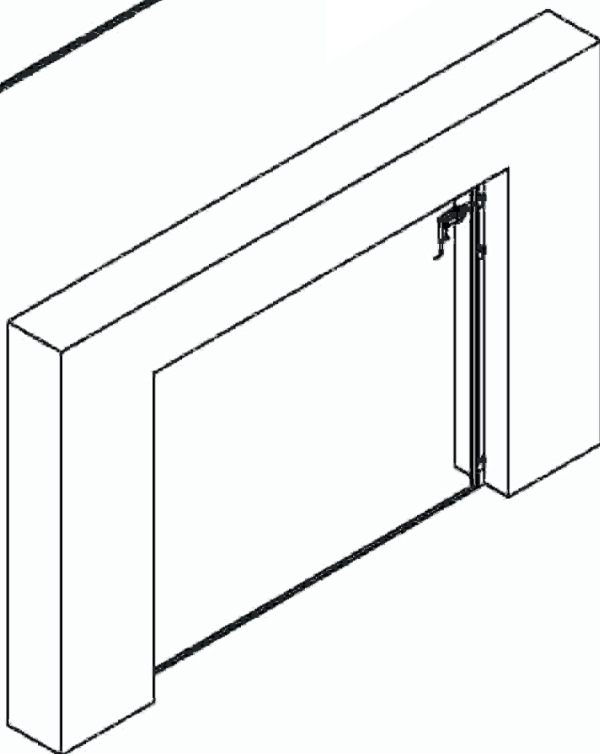
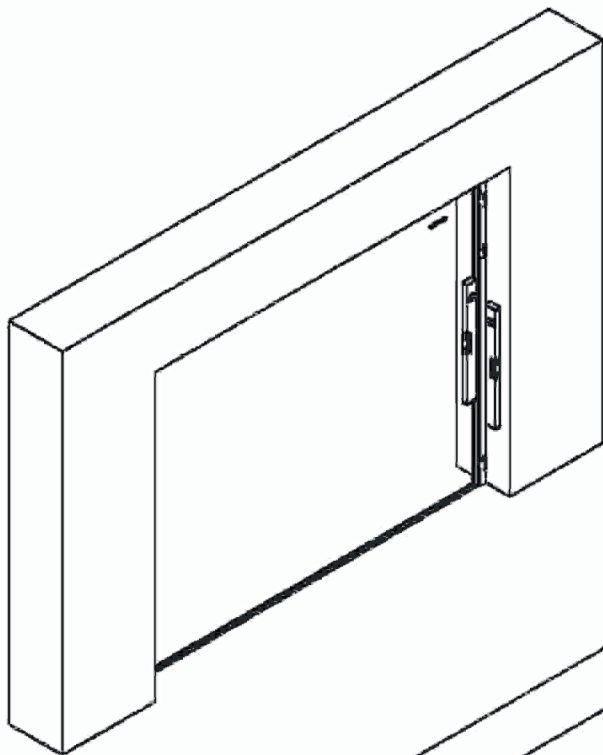


front view

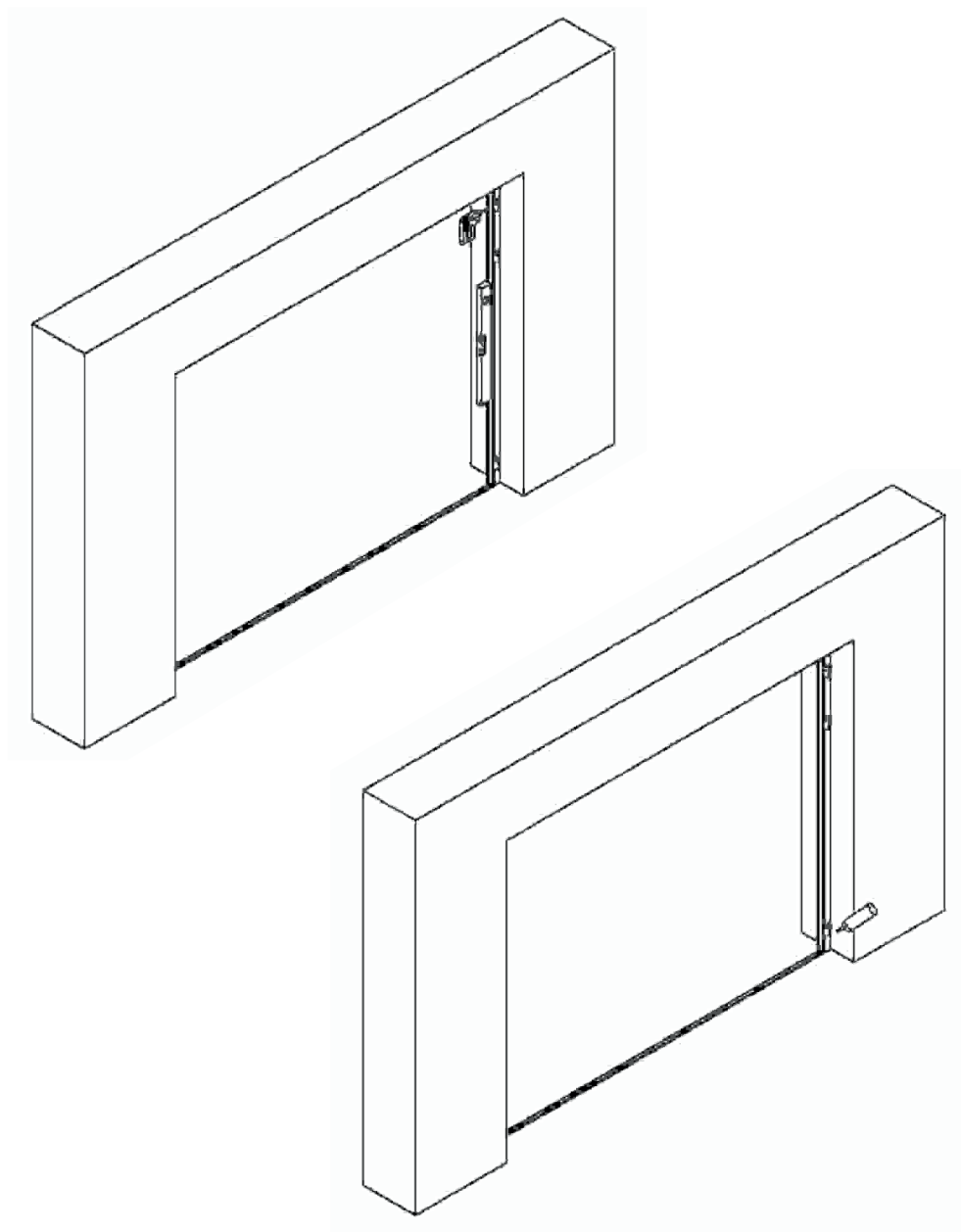


side view

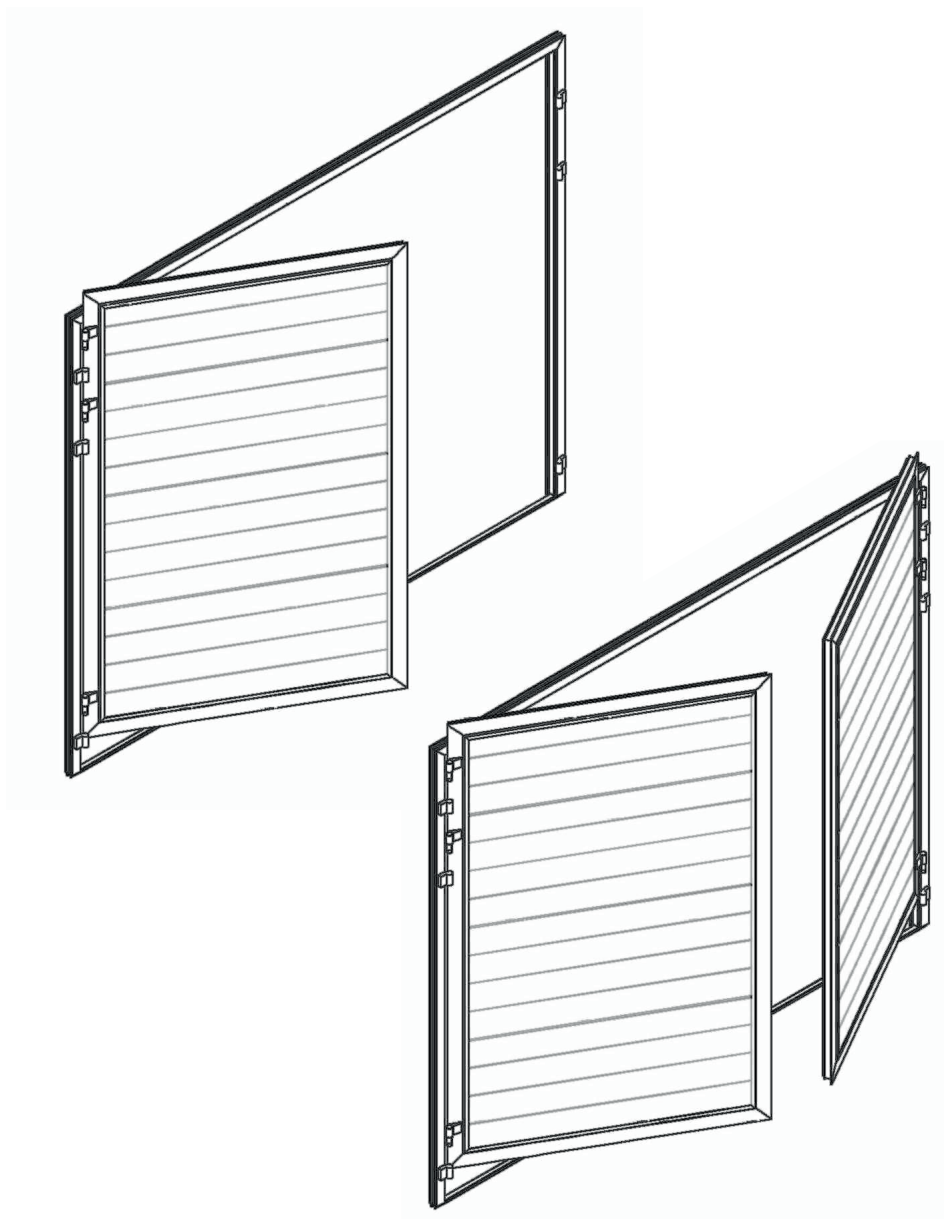
Door case to be marked and holes to be bored.



After the screwing check the level by air level. Fill up the space between the jamb and opening with mounting foam.

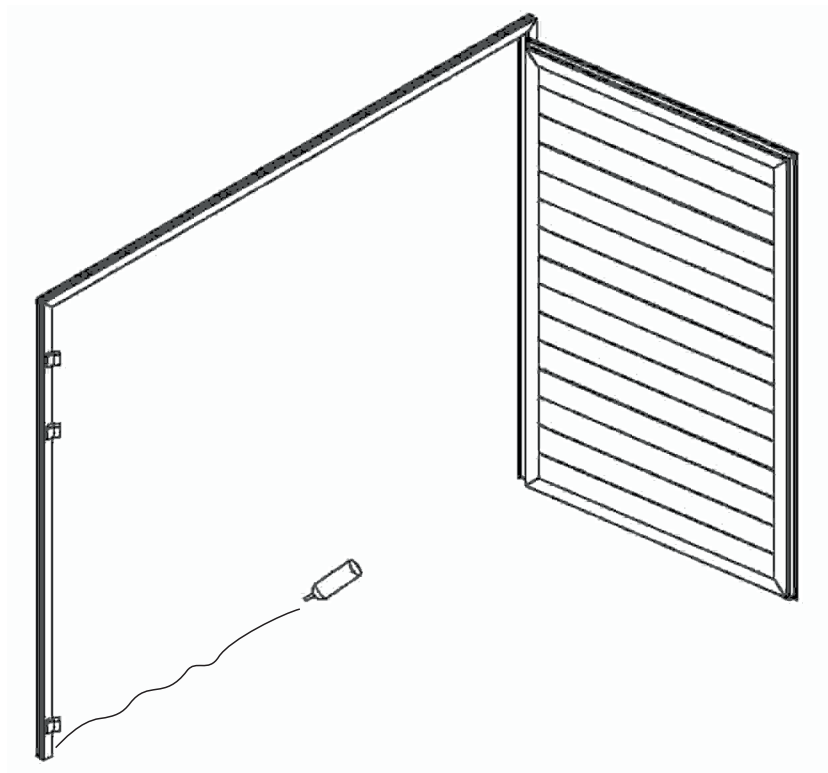


Put on the door wing.

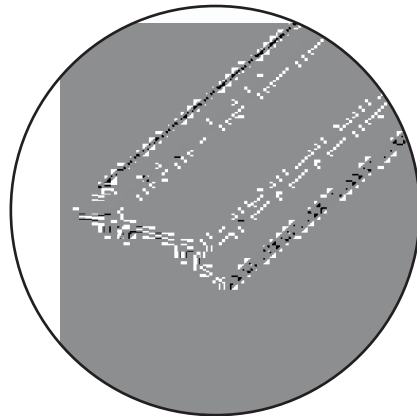
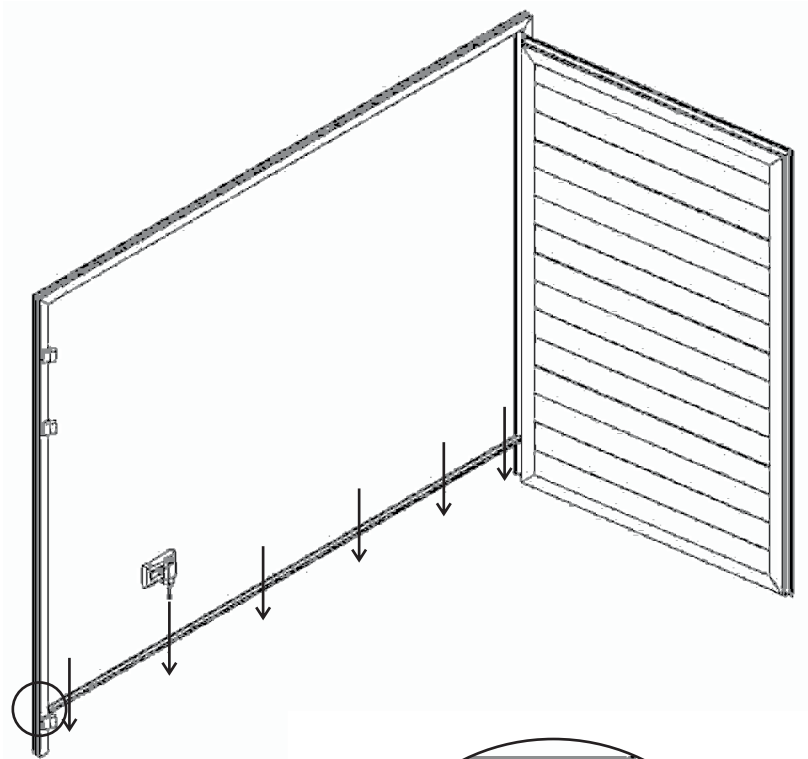


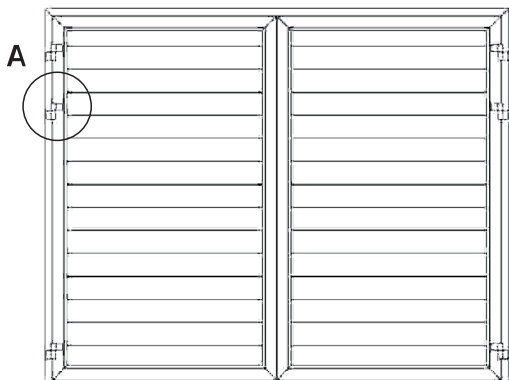


Installation of threshold, apply silicone sealant under the bottom threshold rail.

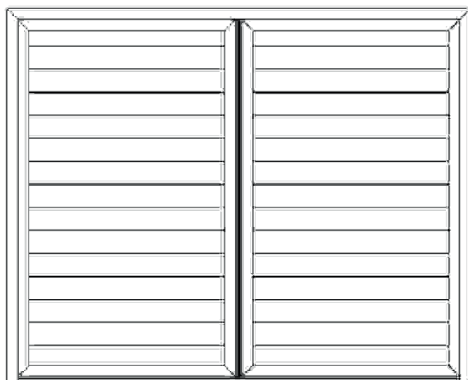


The bottom threshold to be screwed to the floor.



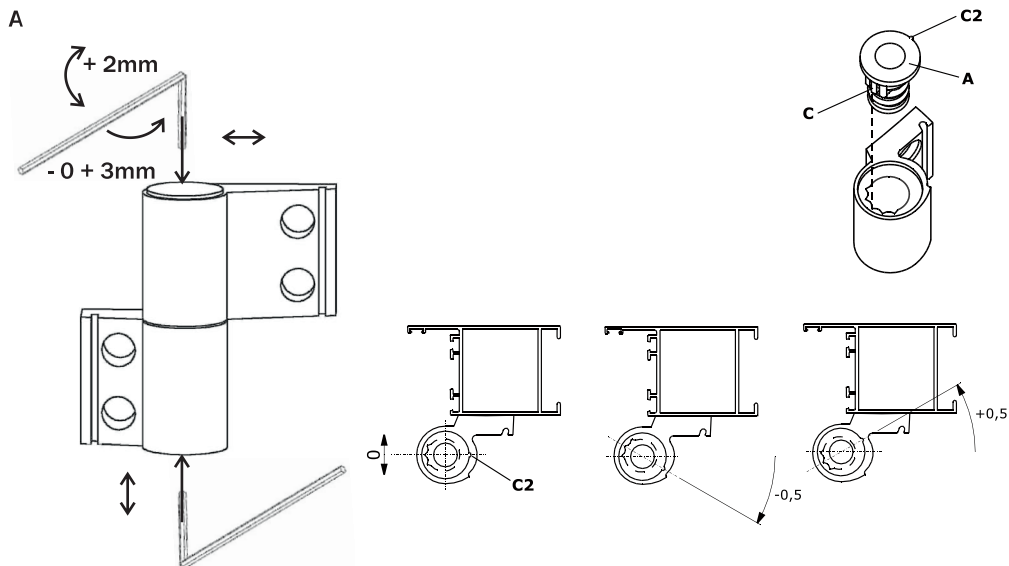


view from outside

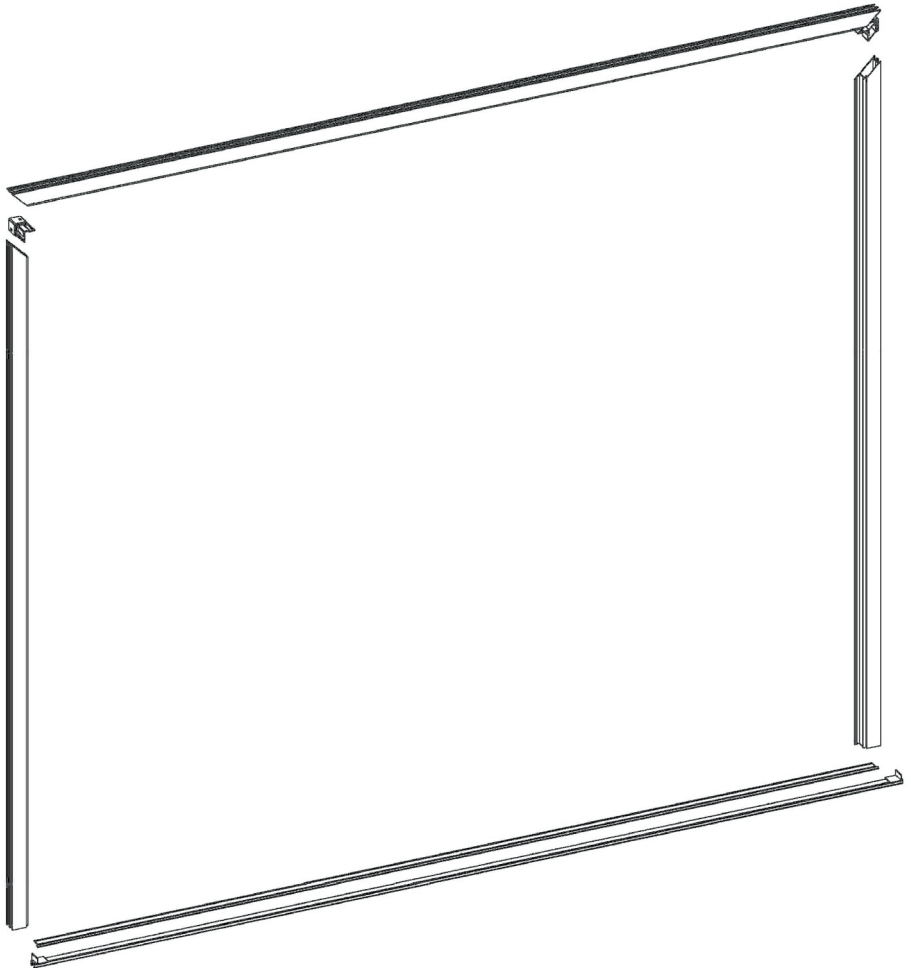


view from inside

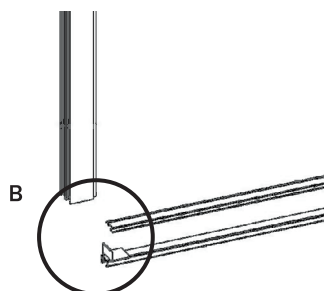
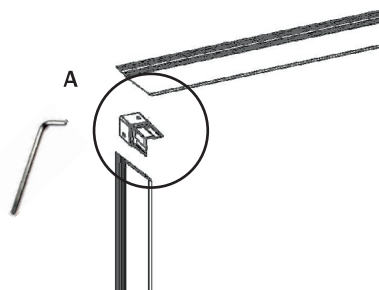
The setting possibilities of the door wing on the hinge



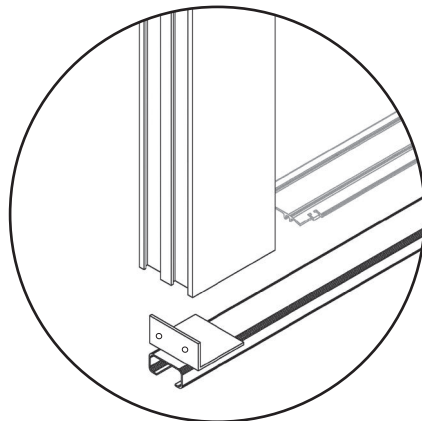
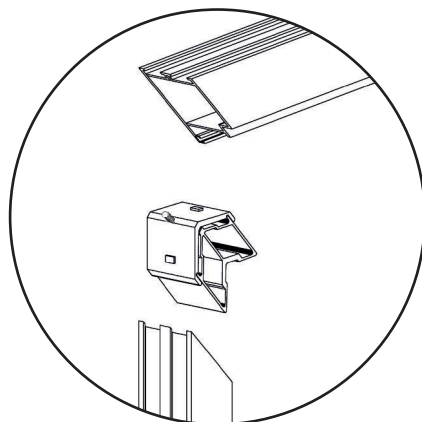
If the frames were delivered disassembled



- A) Slide the corner joint into the profiles so that the profiles will snap into the sockets on the corner joints, tighten with an allen wrench. After screwing together check the right angle.
- B) The bottom C-profile insert into the bottom part of the profile and screw together.



2x









**KRUŽÍK® /**

Kroměříž, Veleslavínova 2357, [tel.] 573 336 233, [fax.] 573 343 582  
Praha 10 Hostivař, Herbenova 38, [tel.] 267 710 696, [fax.] 267 710 696  
г. Мукачево 89622, 000, "Кружик Украина", с. Ивановцы, ул. Мира, 3, [тел] +38-050-523-59-69

18042016

[www.kruzik.cz](http://www.kruzik.cz) | [www.kruzik.com](http://www.kruzik.com) | [www.kruzik.com.ua](http://www.kruzik.com.ua) | [www.kruzik.eu](http://www.kruzik.eu)